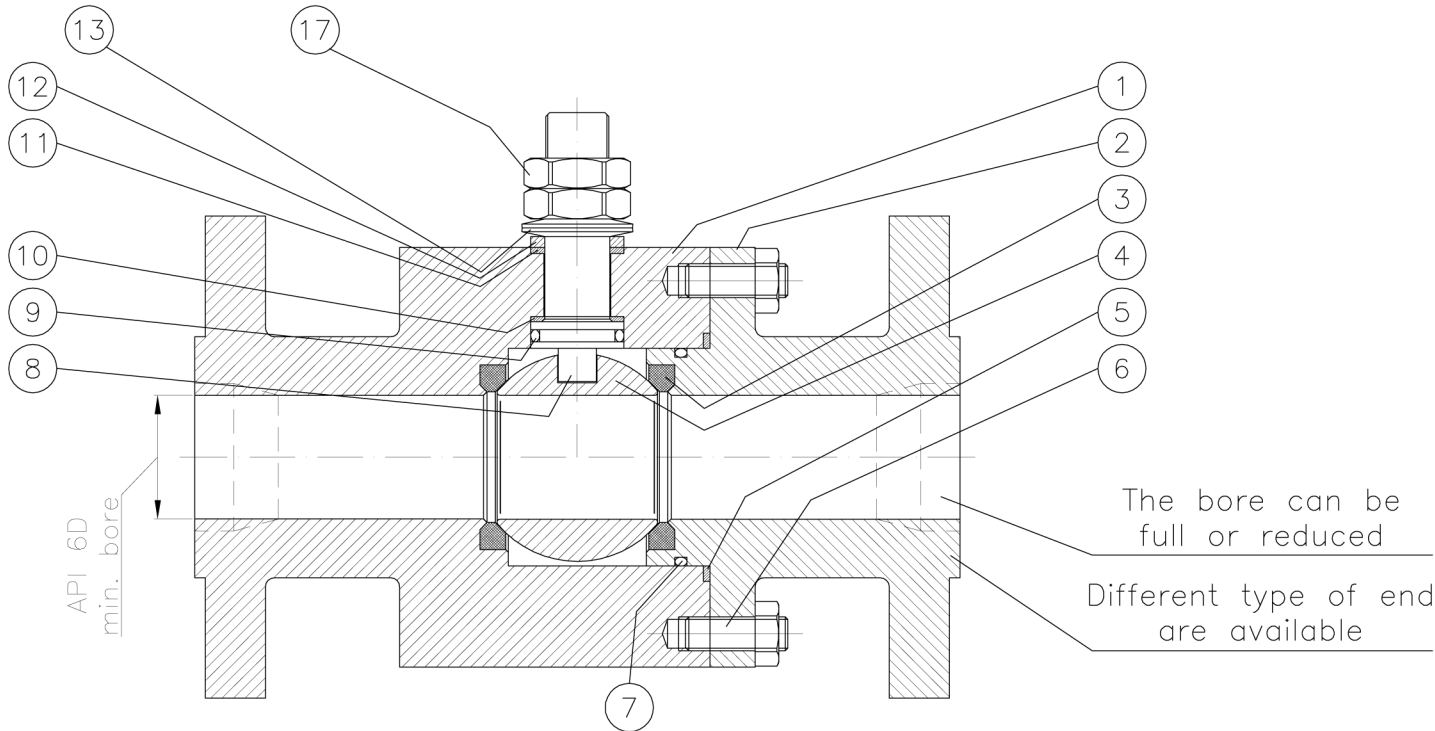


TYPICAL DRAWING

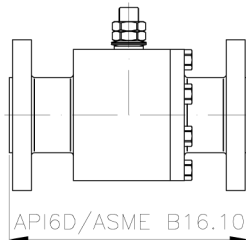
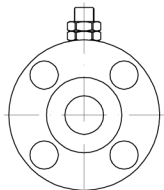
Art. BF150

Floating Ball Valve/
side-entry/bolted construction

DIFFERENT SIZES,
PRESSURE CLASSES AND
MATERIALS ARE AVAILABLE AS PER
OUR QUOTATION

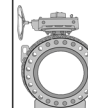


Fire safe construction



BILL OF MATERIAL

POS.	PART NAME	MATERIAL	NOTE
20	/		
17	NUT		
13	SPRING WASHER		
12	RING		
11	GASKET		
10	GASKET		
9	O-RING		
8	STEM		
7	O-RING		
6	BOLT		
5	GASKET		
4	BALL		
3	SEAT		
2	BODY END		
1	BODY		



ESSEVI

Denomination:
FLOATING BALL VALVE Art. BF150
Bare stem - Full bore
Standard construction
Drawing:
BF150ST-B-F

Rev.:
00